

1. GENERAL FEATURES:

Control points: 8 points of control;

Control: Via MD BUS;

Applications: Control the intensity of halogen lamps, speed control of small motors and fans;

Installation: DIN Rail Distribution Board;

Means of control: Phase angle (*Leading-edge*).

2. GENERAL SPECIFICATIONS:

Mains Voltage: 12VDC;

Consumption: 40mA @ 12VDC;

Storage Temperature: -10°C to 60°C;

Operating Temperature: 10°C to 50°C;

Maximum humidity: 80% non-condensing;

Working voltage: 115VAC / 230VAC +/-10%;

Operating frequency: 50Hz / 60Hz;

Specifications Outputs:

Rated load:

20VA - 350VA at 230VAC, Resistive or Reactive;

Internal protection:

Fuse 12A F;

Warning: Mains voltage always present at the outputs without load connected! Do not connect loads with a power of less than 20VA 115VAC/230VAC.

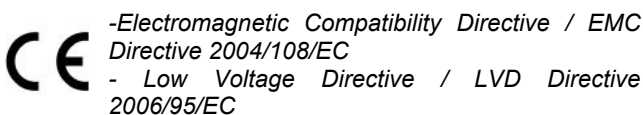
Only replace the fuse with one with the same type and caliber.

Physical Specifications:

Dimensions: 157mm X 90mm X 70mm DIN rail mounting, 9 modules; Box Plastic, self-extinguishing UL-94 V0;

Level of Protection: IP20, for indoor use.

Directives:



3. COMPATIBILITY:

PCCWd Compatibility: V3.2 or higher. Note that PCCWD V3.2, V3.31 versions, requires BUS Adapter;

Software Compatibility Mordomus: Mordomus Software v2015.2 or higher.

4. SECURITY:

Before making any connections, please read these instructions carefully.

Never remove the plastic base from DIN rail.

Do not touch live parts. High present in the module.

To access the interior of this equipment must first be disconnected from the mains.

5. CONNECTIONS:

Thickness of conductors:

Loads Circuit:

Mono-wire 2.5mm²;

Multi-wire 2.5mm²;

Bus Circuit:

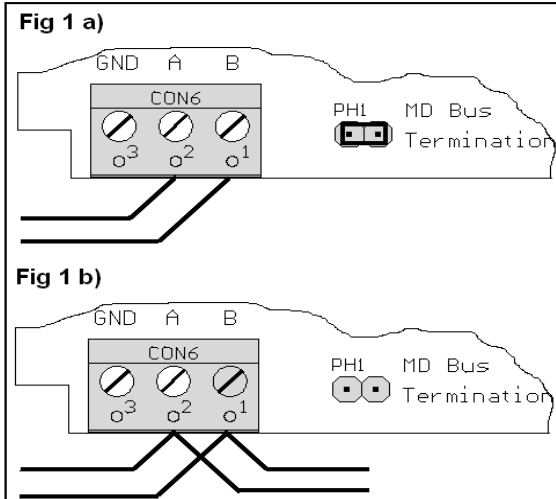
CAT6 Cable F/UTP shielded, twisted;

Circuit Power:

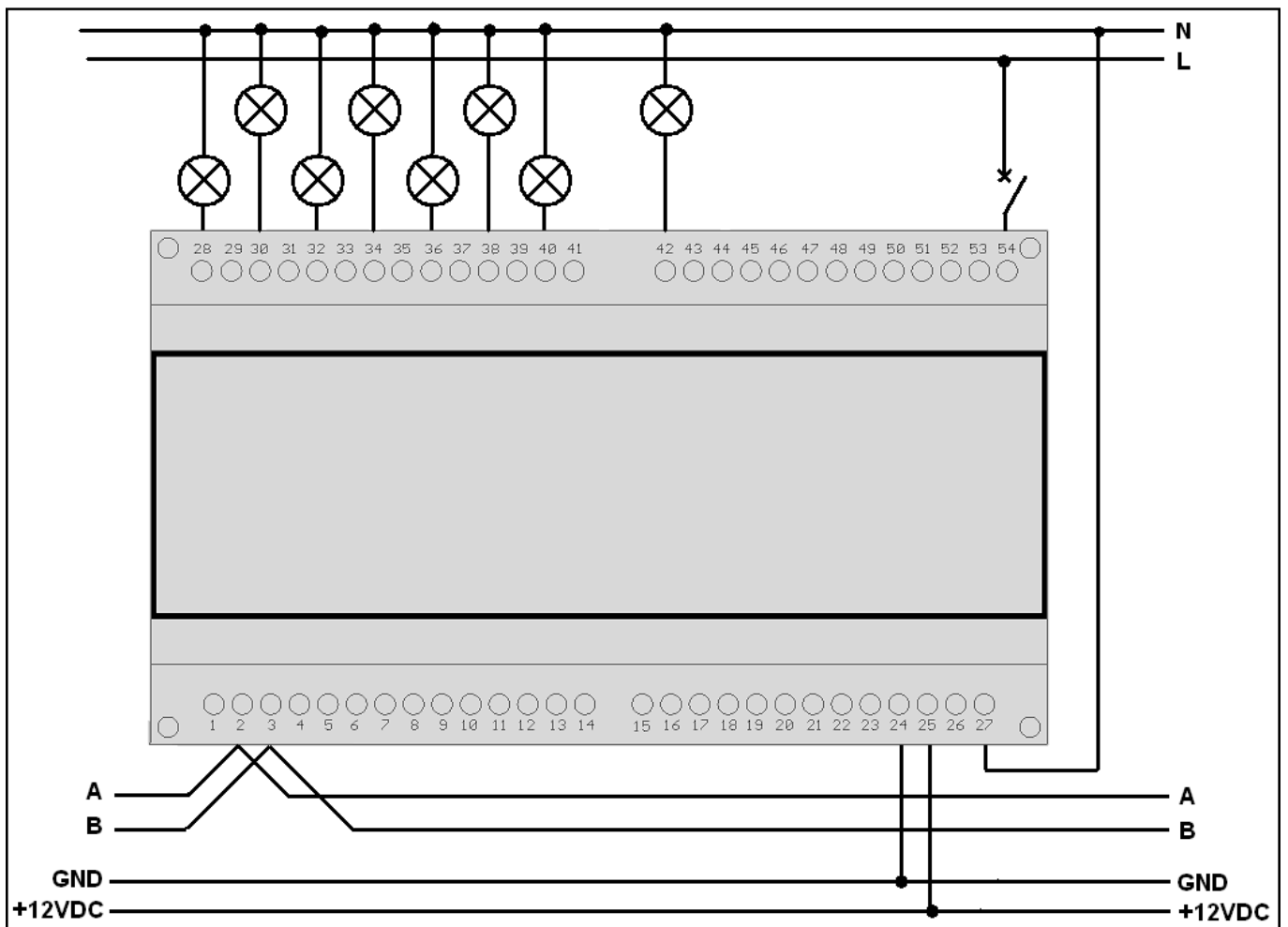
Mono-wire or multi-wire at least 0.75mm²;

Table of Connections:

| Number | Function | Number | Function |
|--------|------------------|--------|------------------|
| 1 | GND | 36 | Output Phase Ch4 |
| 2 | MD BUS TX (A) | 37 | Output Phase Ch4 |
| 3 | MD BUS TX (B) | 38 | Output Phase Ch3 |
| 24 | GND | 39 | Output Phase Ch3 |
| 25 | +12VDC PSU | 40 | Output Phase Ch2 |
| 26 | Not Connected | 41 | Output Phase Ch2 |
| 27 | Network Neutral | 42 | Output Phase Ch1 |
| 28 | Output Phase Ch8 | 43 | Output Phase Ch1 |
| 29 | Output Phase Ch8 | 51 | Not Connected |
| 30 | Output Phase Ch7 | 52 | Not Connected |
| 31 | Output Phase Ch7 | 53 | Phase Network |
| 32 | Output Phase Ch6 | 54 | Phase Network |
| 33 | Output Phase Ch6 | | |



In case the module is the last in bus it must be placed a jumper according to Fig 1 a) to close the chain BUS. In other situations it should remain as in Fig 1 b).



Connect the Bus:

To connect the BUS should be used a twisted pair cable CAT6. For example: Green for **A** and Green/White to **B**. Shield should be connected to GND.

Connect the outputs:

The phase mains input of the module (53-54) must be protected by an automatic breaker adequated to the loads connected.

When connecting low-voltage lamps, do not put more than one transformer per output. Verify that the transformer in question allows dimming.

Do not connect fluorescent lamps or other loads than those indicated in this manual.

Connect the 12VDC power:

We recommend the use of Mean-Well power supplies, DR60-12 and DR30-12.

6. ADDRESSING AND CONFIGURATION:

To assign the desired module to do the following:

1. Open the "Register modules" in the Mordomus software;
2. Pressing (Addressing) inside the module. The Green LED will blink slowly and the red LED will pulse once.

Note that after three minutes without having assigned a new address, the module automatically returns to normal.

3. Set the desired address at the window now displayed on Mordomus Software.

The chosen address must not be shared with another module.

To address the module, it should be connected to mains power 115/230VAC.

7. FUNCTIONING:

LED Code:

Green LED ON: Module powered;

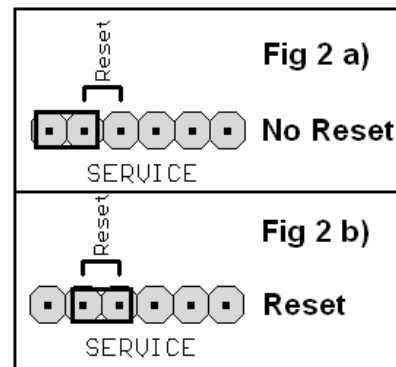
Green LED blinking briefly: Module to receiving data;

Green LED blinking continuously: Module awaiting address;

Red LED blinking: module to sending data.

12VDC power interruption:

After a power interruption 12VDC outputs are set to off state and can occur in a flash at lamps connected, which should be ignored.



Reset: To perform a reset, cut power to module 12VDC for a few seconds or place the jumper according to (Fig 2 b) for about 3 seconds and to put it back in its original position (Fig 2 a).